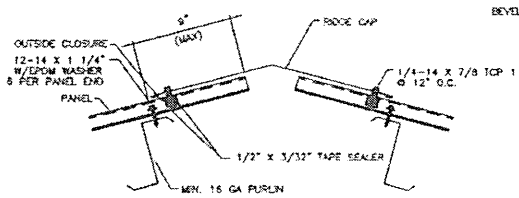
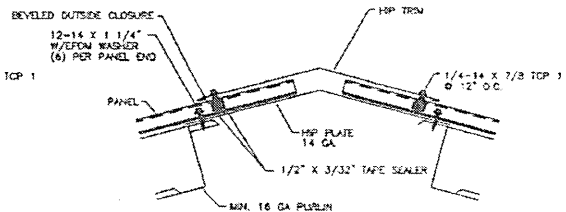


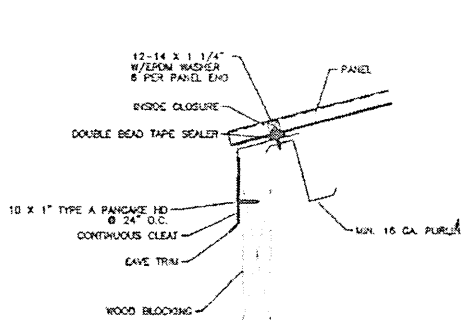
TYPICAL DETAIL
VALLEY



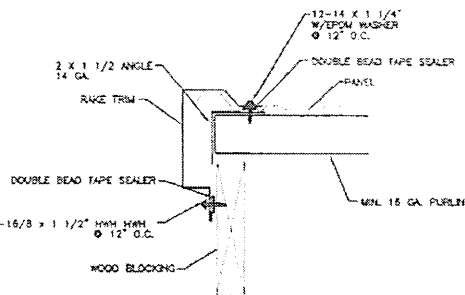
TYPICAL DETAILS
RIDGE



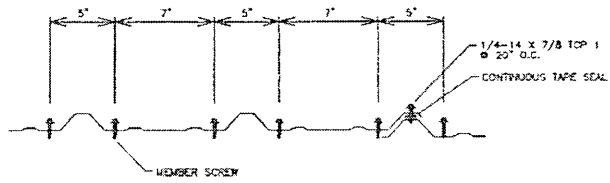
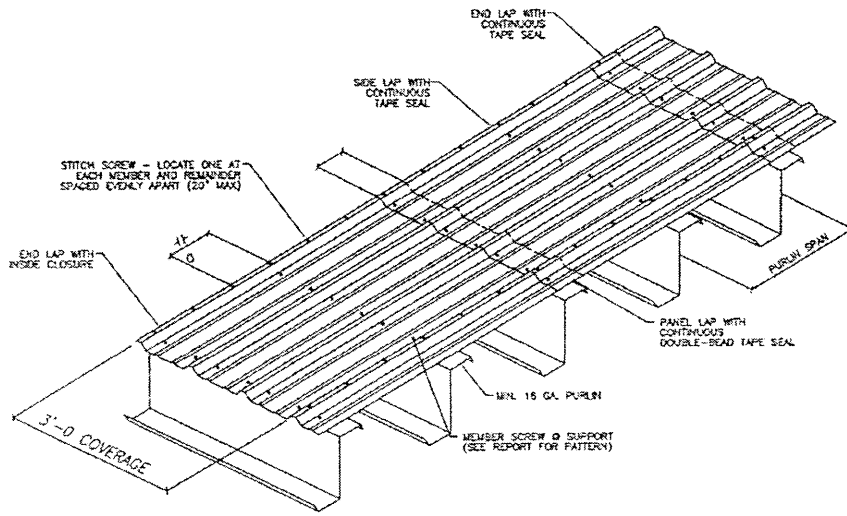
TYPICAL DETAILS
HIP



TYPICAL DETAILS
EAVE



TYPICAL DETAILS
RAKE



INTERIOR/EXTERIOR SCREW PATTERN