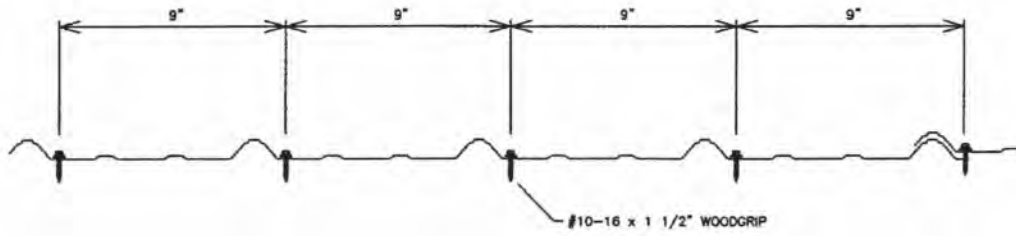
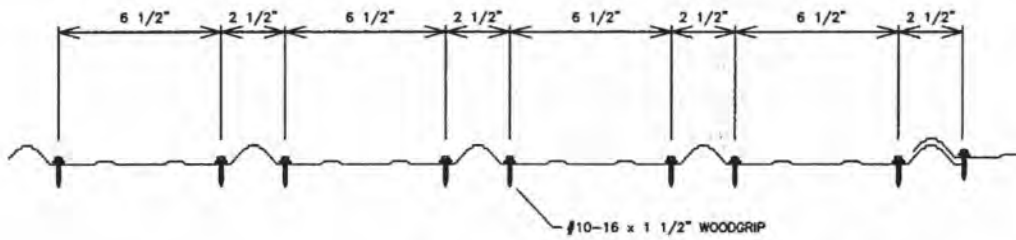


FASTENER LOCATIONS



TYPE 1 FASTENER PATTERN @ 24" O.C.



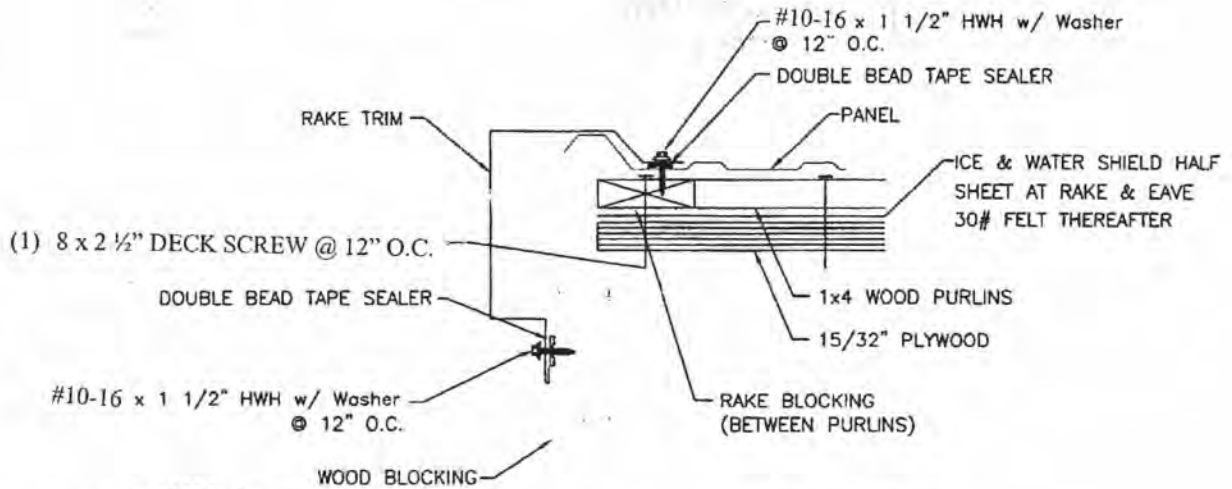
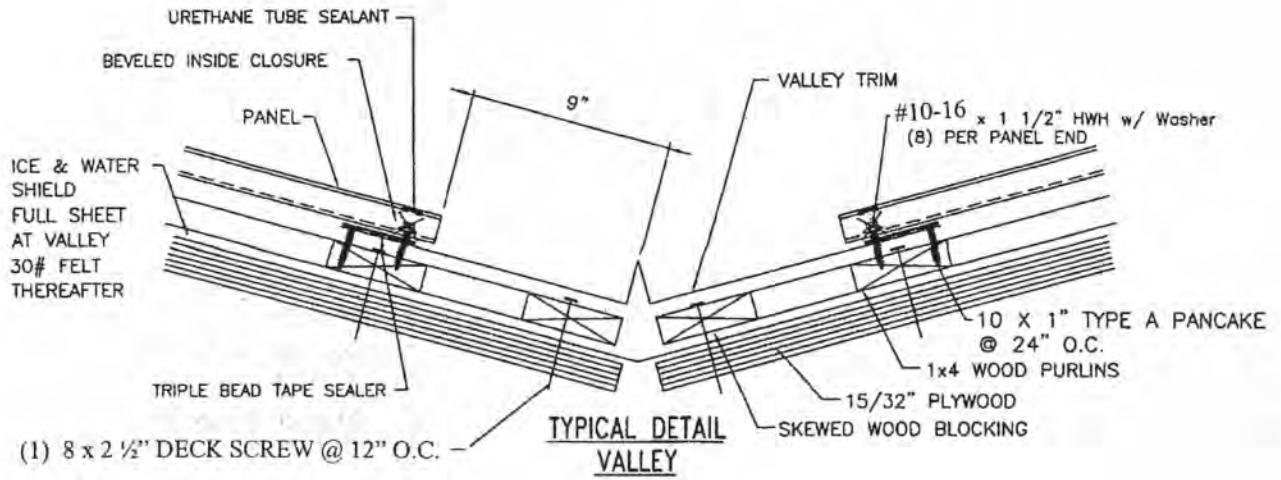
TYPE 2 FASTENER PATTERN AND PANEL END PATTERN @ 24" O.C.

State of Florida
C.O.A.
28778



DEC 15 2008

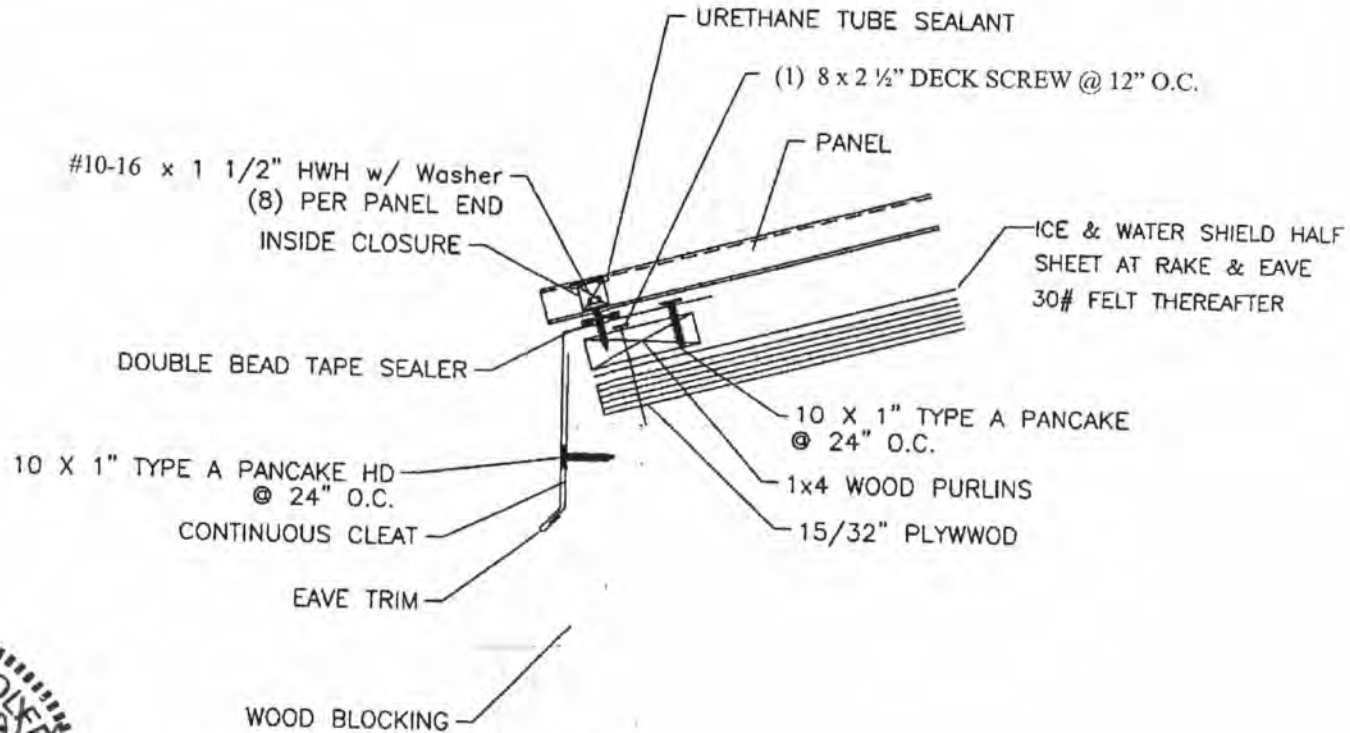
3/4" RIB TYPICAL DETAILS OVER 1x4 WOOD PURLINS



State of Florida
 C.O.A.
 # 26778

DEC 15 2008

3/4" RIB TYPICAL DETAILS OVER 1x4 WOOD PURLINS



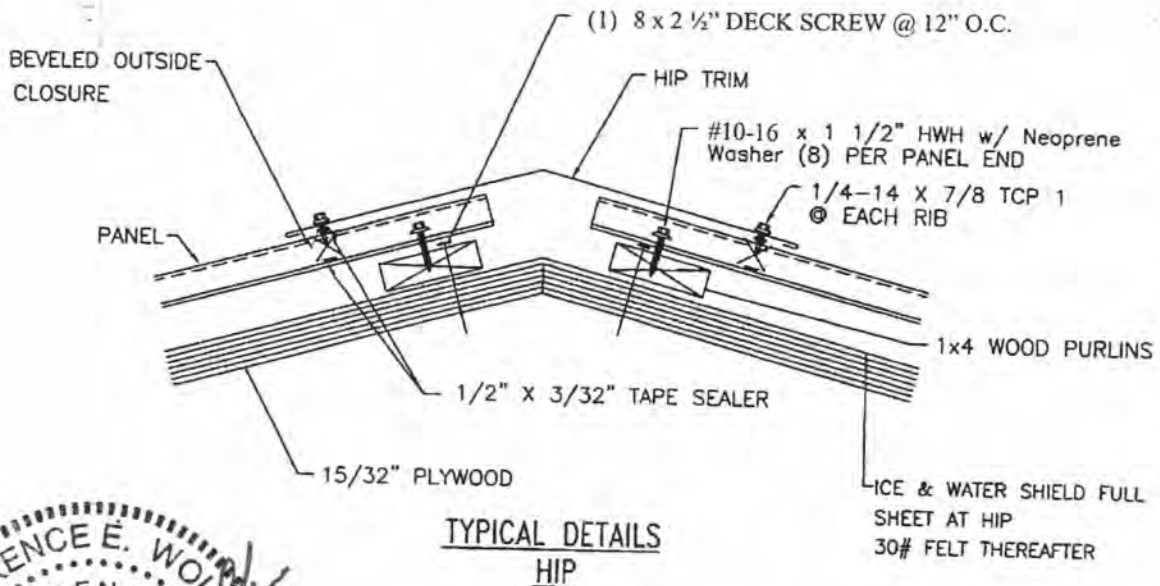
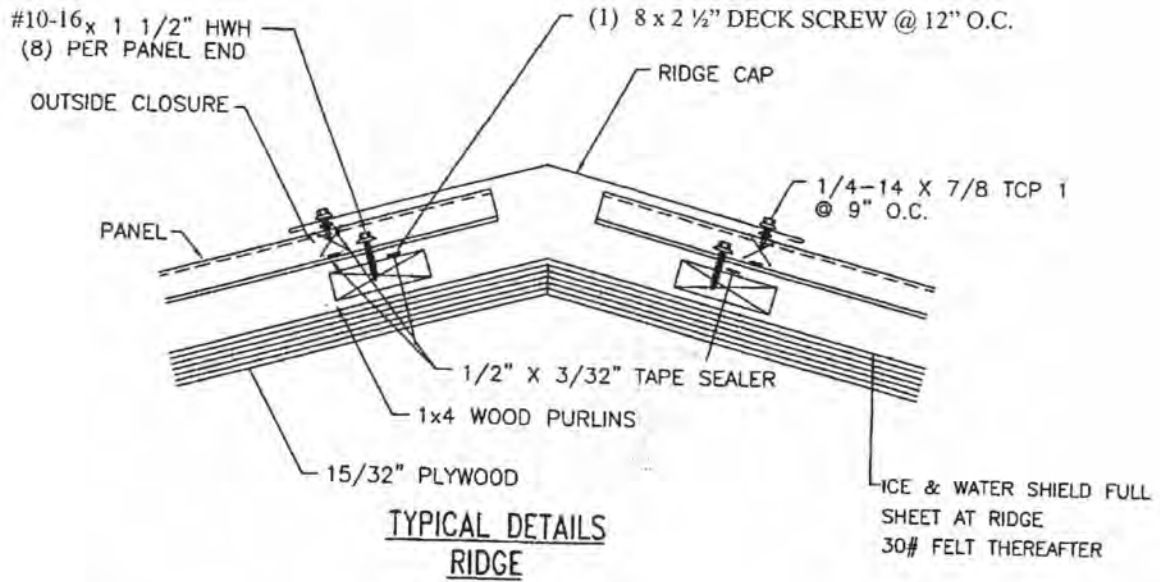
TYPICAL DETAILS
EAVE

State of Florida
C.O.A.
28778

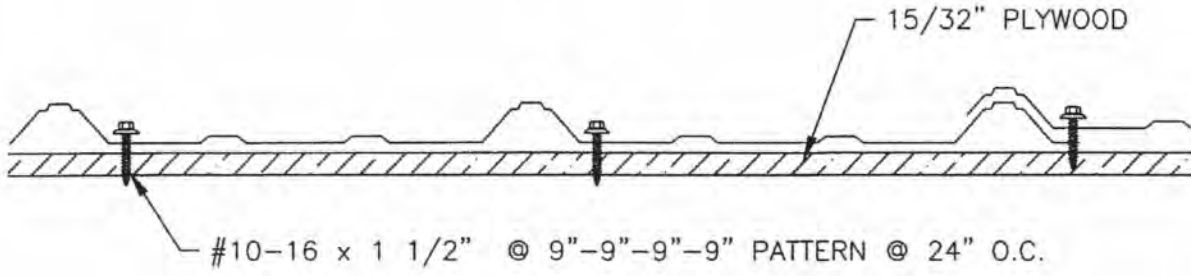


DEC 15 2008

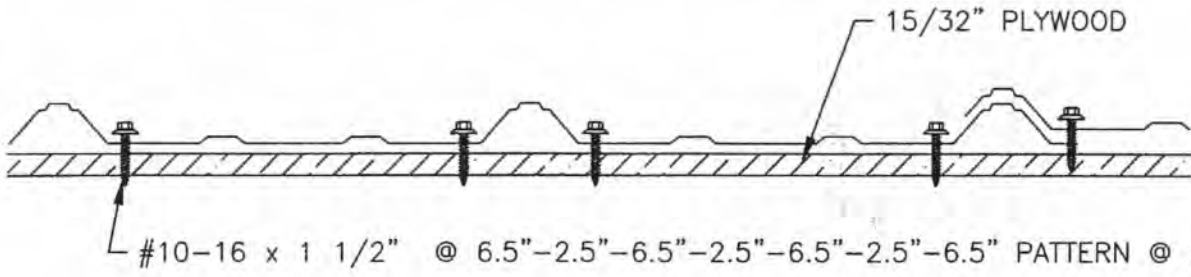
3/4" RIB TYPICAL DETAILS OVER 1x4 WOOD PURLINS



State of Florida
C.O.A.
28778



TYPE 1 FASTENER PATTERN (SEE LOAD TABLE)



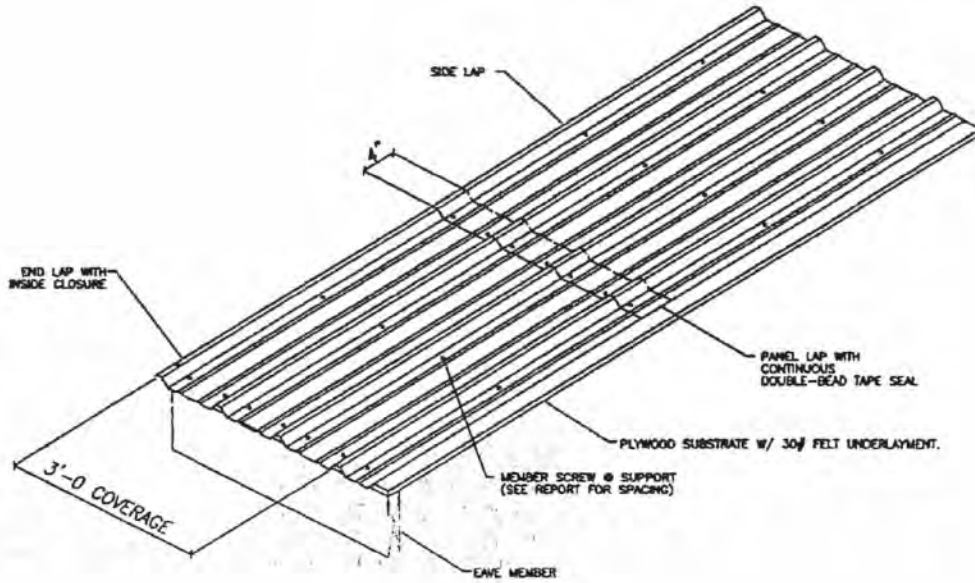
TYPE 2 FASTENER PATTERN (SEE LOAD TABLE)



State of Florida
C.O.A.
26778

DEC 15 2008

DETAILS OVER PLYWOOD

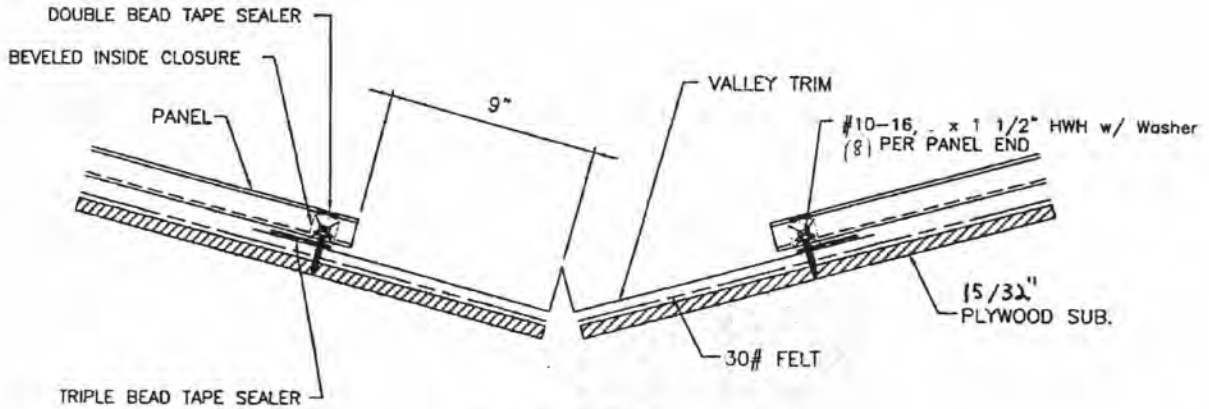


State of Florida
C.O.A.
28778

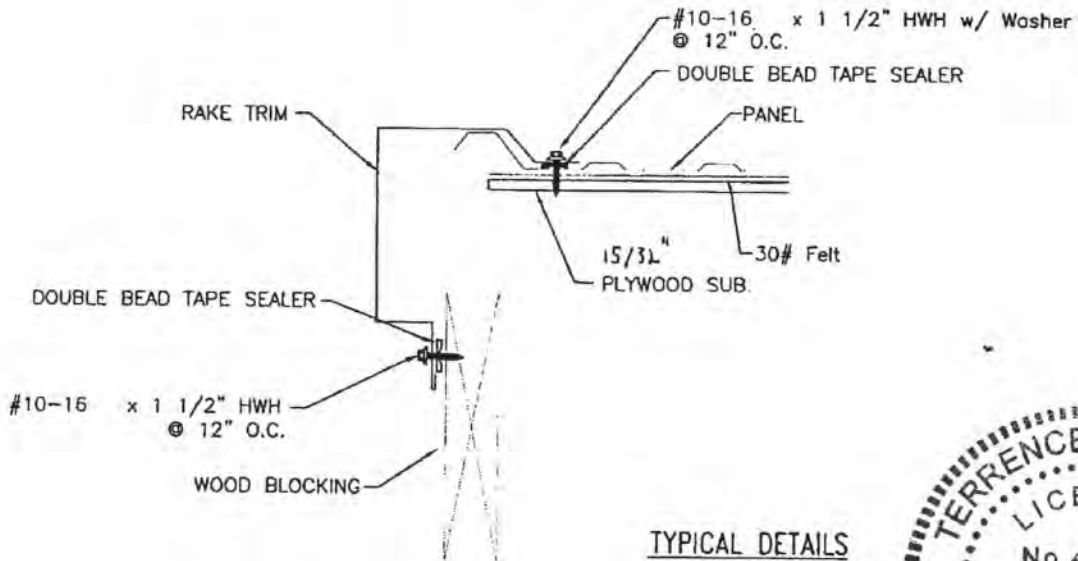


DEC 15 2008

DETAILS OVER PLYWOOD



TYPICAL DETAIL
VALLEY



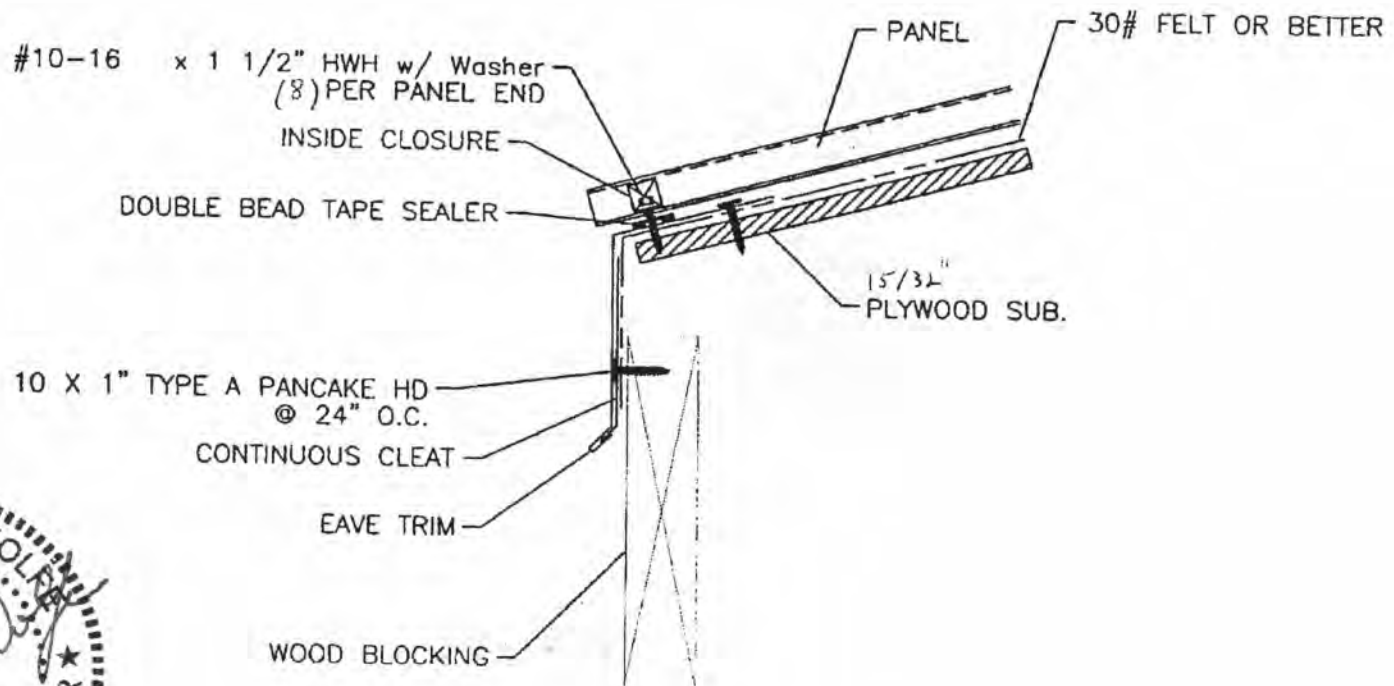
TYPICAL DETAILS
RAKE

State of Florida
C.O.A.
26778



DEC 15 2008

DETAILS OVER PLYWOOD



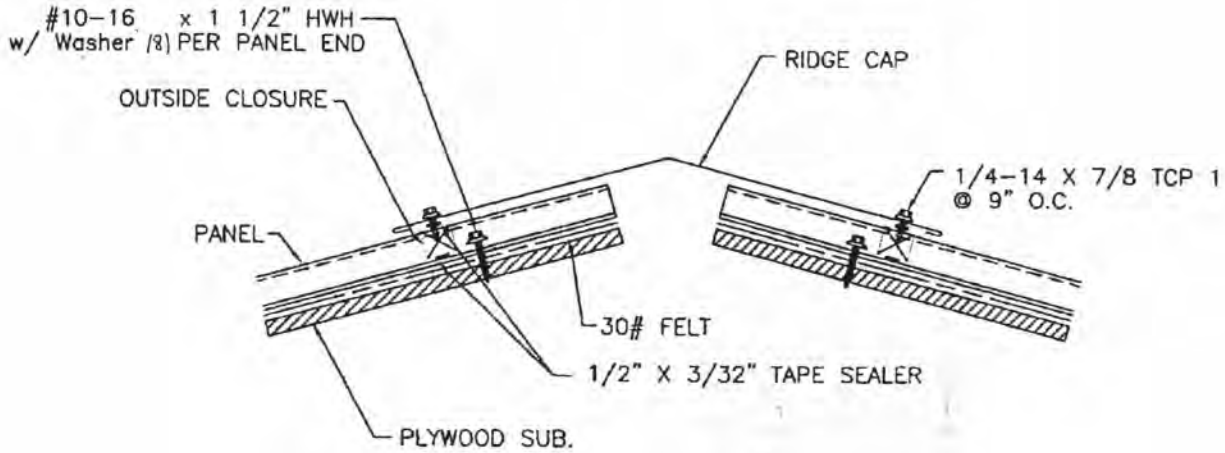
State of Florida
C.O.A.
26778



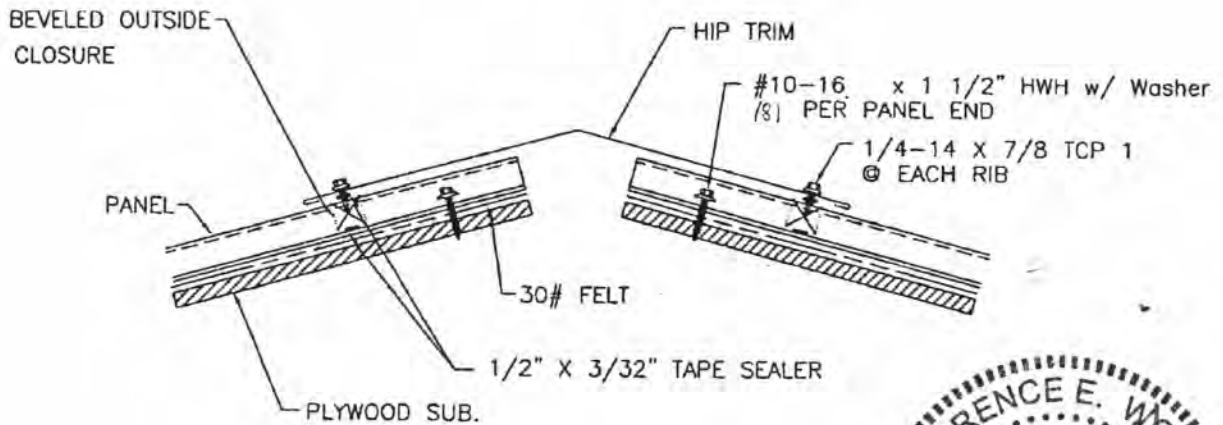
DEC 15 2008

TYPICAL DETAILS
EAVE

DETAILS OVER PLYWOOD



TYPICAL DETAILS
RIDGE



TYPICAL DETAILS
HIP

State of Florida
C.O.A.
26778



DEC 15 2008